

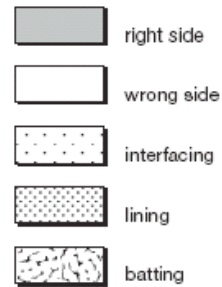


average

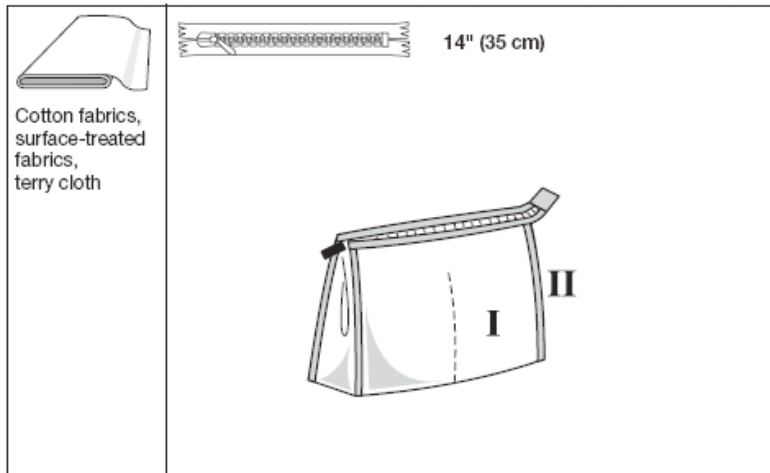
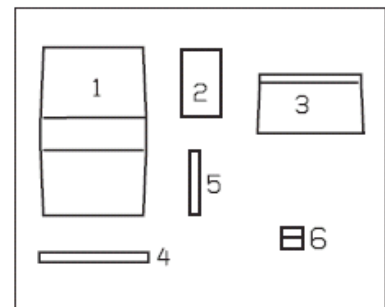
		45 ins / 114 cm	55 ins / 140 cm
I	yd m	$\frac{1}{2}$ * 0.35 *	$\frac{1}{2}$ * 0.35 *
II	yd m	$\frac{3}{4}$ → 0.55 →	$\frac{1}{4}$ → 0.55 →

→ with nap

* without nap



Patternpieces:



PATTERN

- 1 Center 1x
- 2 Side 2x
- 3 Inside pocket 1x
- 4 Bias tape (top) 2x
- 5 Bias tape (side) 2x
- 6 Placket 1x

Paper cut for US Letter or ANSI A (German DIN A4) prints:

The pattern sheets are printed out on 8 sheets with a thin frame. Wait, until all sheets are printed out. Arrange the sheets in such a way as they fit together (see extra page with the overview of the prints).

Cut off the single sheets in each case in the upper and right edge along the thin frame lines. Begin with the left lower sheet and then glue the parts in the frame lines together precisely.

Cut the pattern pieces

CUTTING OUT

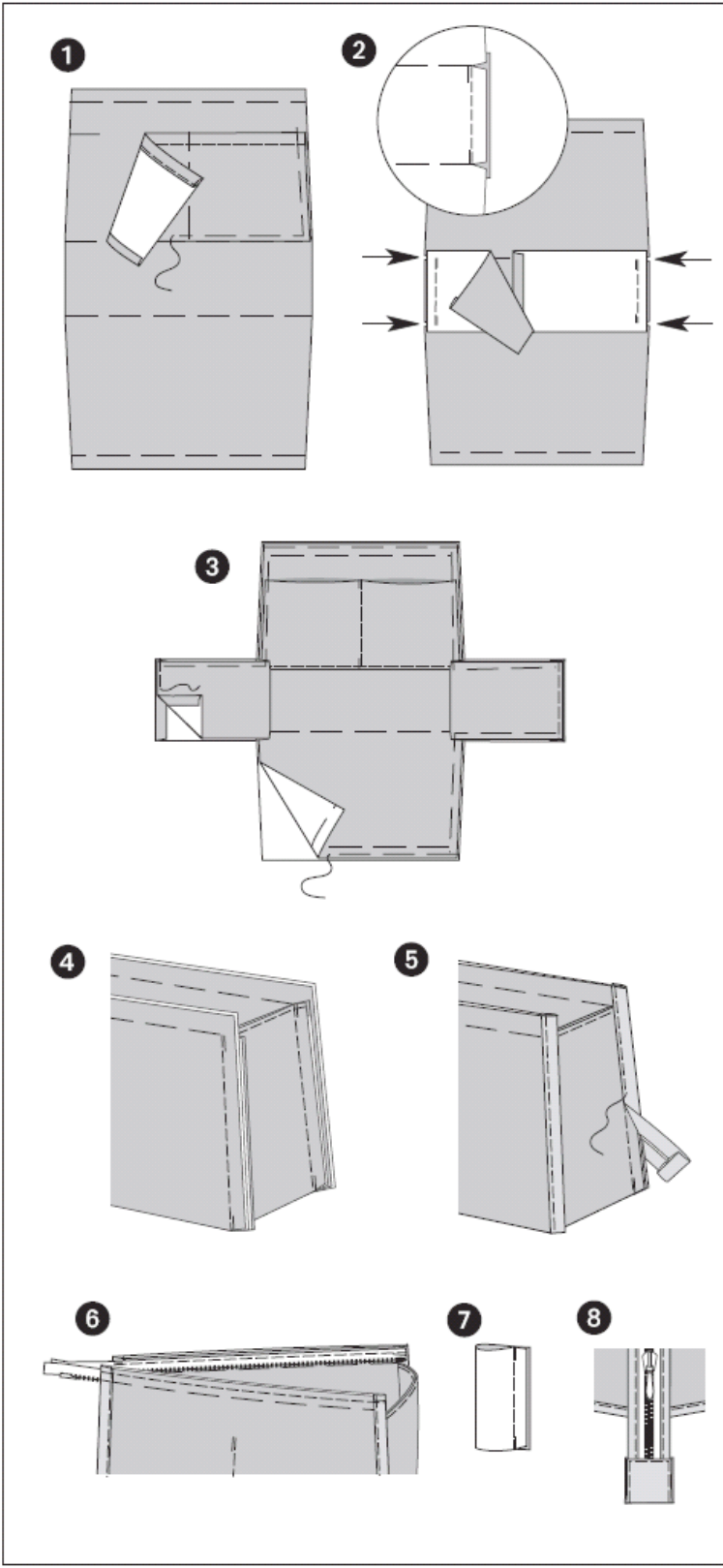
The **CUTTING DIAGRAM** shows how the pattern pieces should be placed on the fabric.

Necessary ALLOWANCES are included.

For a single layer of fabric, the pattern pieces are pinned to the right side. For double layers of fabric, the right sides are facing and the pattern pieces are pinned to the left side.
= piece 1 to 6 of fabric II (e.g., bias stripped), piece 1 and 2 also from fabric I (plain), cut.

MARKING

The sketched lines (---) on the patterns point where the pieces are sewn together. Mark important lines and signs in the parts with the help of BURDA copying paper (you will find the instructions in the packet) or with a piece of chalk. Transfer lines with tacks on the right fabric side.



SEWING

When sewing the wrong sides of fabric are facing. All edges are bound with bias trim.

TOILETRY BAG

1) Inside pocket: Fold allowances of the upper edge inwards, stitch. Neaten lower edge, press. Baste pocket, touching the lines on the center piece (striped fabric).

2) Side parts: Press allowances of upper edges. Stitch lower edges, right sides facing, between the lines on the center piece (plain fabric). Cut allowances on the cross lines of the center piece (arrows). Also, stitch the inside of side pieces onto the inside of center piece (striped fabric).

3) Baste inside and outside center pieces including side pieces facing left to left, one on top of the other. Stitch inside pocket on the lower edge onto pocket center. Stitch the upper edges of the side parts together narrowly.

4) Lay side parts from seam 6 respectively 7 onto the center piece. Stitch seams.

5) Enclose edges: Fold and press the long edges along the bias tapes and the end of the bias tapes inwards, about 3/10" (0.7 cm). Then press the tapes onto half of the width. Enclose the short tapes to the side pocket edges. Move pocket edge between the tape edges, until it touches the break line. The tape ends are facing down. Pin tape edges together, stitch.

6) Open zipper and pin on the upper edges of the center piece, the little teeth touch the marked zipper line. Turn open tape ends, the closed zipper end overlaps. Stitch zipper tapes. Enclose upper edges of the center piece with the bias tapes, the zipper tapes included. From the end of the center piece continue enclosing the zipper tapes only.

7) Fold placket (piece 6) along, stitch long edges together. Turn placket, press.

8) Fold half of placket, open edges inside. Lay placket around the overlapping zipper tape and stitch.